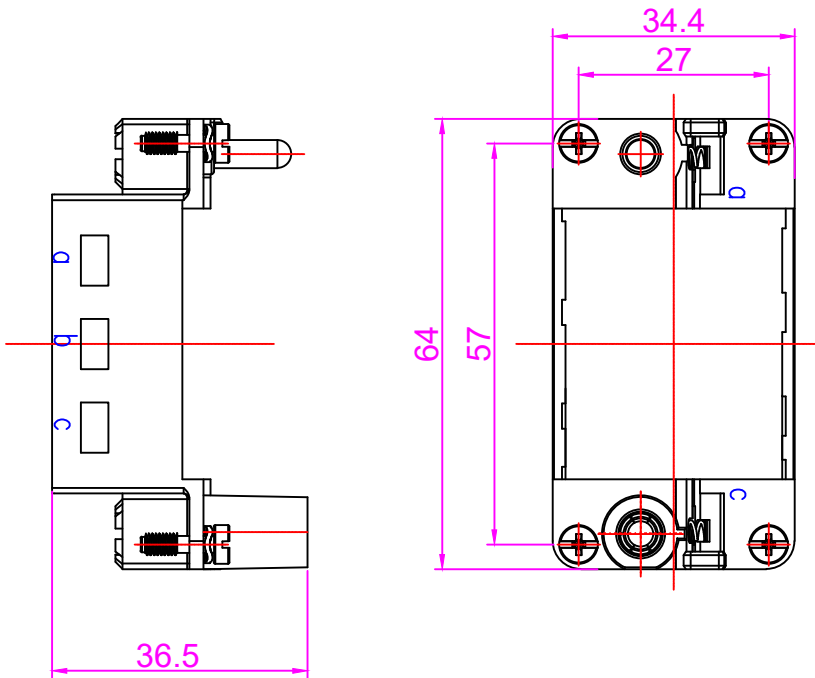
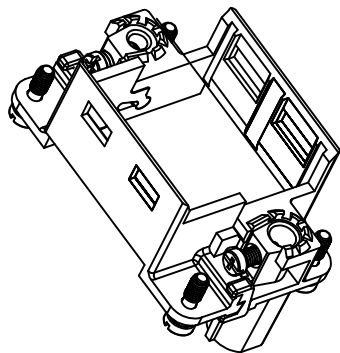



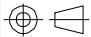
REVISION DATA				
SYM	ECN	DESCRIPTION	DATE	APPROVED



技术参数:  
 材料: 锌合金  
 表面处理: 镀锌  
 温度范围: -40°C~+125°C  
 模块数量: 3  
 接地线、  
 功率线: 4~10mm<sup>2</sup> (AWG12-8)  
 信号线: 1~2.5mm<sup>2</sup> (AWG18-14)  
 插拔次数: ≥500

Specifications:  
 Material: zinc alloy  
 Surface: Galvanization  
 Limiting temperatures: -40°C~+125°C  
 Number of modules:3  
 PE contact,  
 Power side:  
 Wire gauge--mm<sup>2</sup>: 4.0~10mm<sup>2</sup>  
 Wire gauge--AWG: 12-8  
 Signal side:  
 Wire gauge--mm<sup>2</sup>: 1.0~2.5mm<sup>2</sup>  
 Wire gauge--AWG: 18-14  
 Mechancial working life (Mating cycles): ≥500



Tolerance		SIGNATURE	DATE	Units	mm	 宁波欧科瑞连接器有限公司 NINGBO OUKERUI CONNECTOR CO.,LTD.	
0~≤20 ±0.15	DRAW			Size	A4		
20~≤50 ±0.25	DESIGN			Scale		PART NAME: HZW-HF10B-LA	
50~≤80 ±0.35	CHECK			Sheet		Drawing NO.	REV
80~≤120 ±0.50	APPROVE			Proj.		Material	A