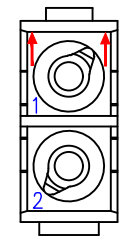
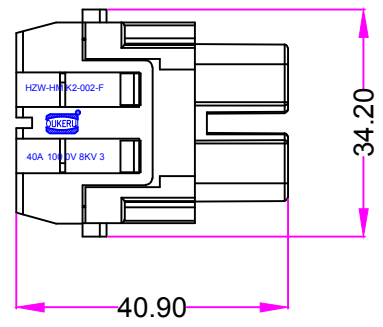
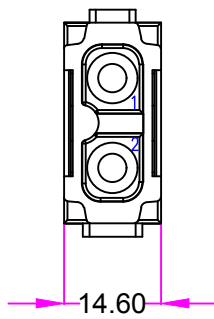


REVISION DATA				
SYM	ECN	DESCRIPTION	DATE	APPROVED

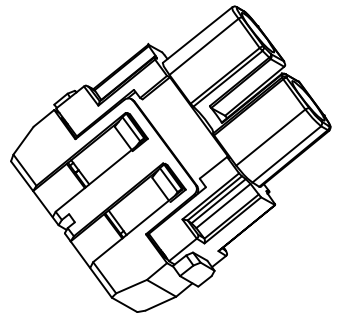



技术参数:
 插芯:
 插针数: 2
 额定电流: 40A
 工作电压: 1000V
 额定耐受脉冲电压: 8KV
 污染等级: 3
 材料: Polycarbonate

插针:
 接线方式: 轴向螺纹连接
 材料: 铜合金
 表面处理: 镀银
 接触电阻: $\leq 0.5m\Omega$
 线径范围: 2.5~8mm² (AWG14-8)
 内六角扳手: SW2

Specifications:
 Inserts:
 Number of contacts: 2
 Rated current: 40A
 Rated voltage: 1000V
 Rated impulse voltage: 8KV
 Pollution degree: 3
 Material: Polycarbonate

Contacts:
 Terminal: screw terminal
 Material: Copper alloy
 Surfac: hard-silver plated
 Contact resistance: $\leq 0.5m\Omega$
 Crimp terminal
 Wire gauge--mm²: 2.5~8mm²
 Wire gauge--AWG: 14-8
 Hexaonal driver: SW2



Tolerance		SIGNATURE	DATE	Units	mm	 宁波欧科瑞连接器有限公司 NINGBO UKERUI CONNECTOR CO., LTD.		
0~ ≤ 20	± 0.15	DRAW		Size	A4	PART NAME: HZW-HMK2-002.1-F		
20~ ≤ 50	± 0.25	DESIGN		Scale		Drawing NO.		REV
50~ ≤ 80	± 0.35	CHECK		Sheet		Material		A
80~ ≤ 120	± 0.50	APPROVE		Proj.	